

LTC BALLAST RELOCATION KIT

Part Number 903,901,41X.X1

SUBJECT: Ballast Relocation Kit Used With LTC Service Refrigeration Kits In Some Narrow Venders

MODEL NUMBERS AFFECTED: 168, 180, 240, 276

REASON: To provide step-by-step instructions for removing and installing ballasts that need relocation when installing the LTC refrigeration units in the field.

NARROW STYLE VENDERS AFFECTED:

Coke Landscape Pages 2 & 4
 Dr. Pepper D3 Pages 2 & 4
 7UP B7 Pages 3 & 4

NOTE: WIDE VENDERS ARE NOT AFFECTED.

KIT B/M# 435,011,80X.X4				
ITEM	QTY.	PART NUMBER	PART DESCRIPTION	USE
1	2	901,901,06x.x1	5 1/2 Cable Tie	All
2	1	805,800,62x.x1	LTC Ballast Relocation Bracket	7UP Only
3	1	805,800,63x.x1	LTC Ballast Relocation Cover	All
4	4	900,301,83x.x1	10-32x5/16 Phil Pan Screw	All

Note: Some models listed are no longer produced by Dixie-Narco.

**BALLAST RELOCATION
COKE LANDSCAPE
DR. PEPPER D3**

To Relocate Ballast:

1. **UNPLUG THE VENDER.**
2. Remove the existing ballast box from the door.
3. Remove the ballast from existing ballast box. Do not disconnect any of the wiring.
4. Mount the ballast on to the relocation cover (805,800,63x.x1).
To mount:
 - a. Locate the slot in the ballast relocation cover.
 - b. Hook the end of the ballast into the slot in the cover.
 - c. Secure the loose leg of the ballast to the cover using two No. 10 self tapping screws (900,301,83x.x1).
5. Remove the three screws holding the bottom of the delivery chute box and save to install later. (See Area 1, figure 1, page 4).
6. Hook the bottom of the relocation cover over the top edge of the bottom door frame. (See figure 1, page 4).
7. Secure the top of the relocation cover to the bottom of the delivery chute box by replacing the three screws that were removed in Step 5 above. (See figure 1, page 4).
8. Use the cable ties supplied in the kit to dress and secure the harnessing.

BALLAST RELOCATION

7UP B7

To Relocate Ballast:

1. **UNPLUG THE VENDER.**
2. Cut the bottom left cable tie. (See Item 1, figure 2, page 4).
3. Remove the existing ballast box from the door.
4. Remove the ballast from the existing ballast box. Do not disconnect any of the wiring.
5. Thread the ballast and wiring through the opening of the door at the bottom left, (see Area A, figure 2, page 4) under the bottom light assembly, out through the control box (see Area B, figure 2, page 4) and into the area under the coin box.
6. Mount the ballast on to the ballast relocation cover (805,800,63x.x1).
To mount:
 - a. Locate the slot in the ballast relocation cover.
 - b. Hook the end of the ballast into the slot in the cover.
 - c. Secure the loose leg of the ballast to the cover using two No. 10 self tapping screws (900,301,83x.x1).
7. Remove the top right screw from the bottom lamp bracket (see Item 2, figure 2, page 4) and save to install later.
8. Hook the relocation cover (Item 4, figure 2, page 4) to the bottom door frame. Note: Notches in the cover should sit over the bottom door flange. (See figure 2, page 4).
9. Hook the relocation cover bracket (805,800,62x.x1) over the edge of the coin box shelf. (See Item 3, figure 2, page 4).
10. Secure the cover bracket to the relocation cover using two No. 10 self tapping screws (900,301,83x.x1).
11. Secure the relocation assembly to the vender by replacing the screw removed from the bottom light assembly in Step 7 above.
12. Use the cable ties supplied in the kit to dress and secure the harnessing.

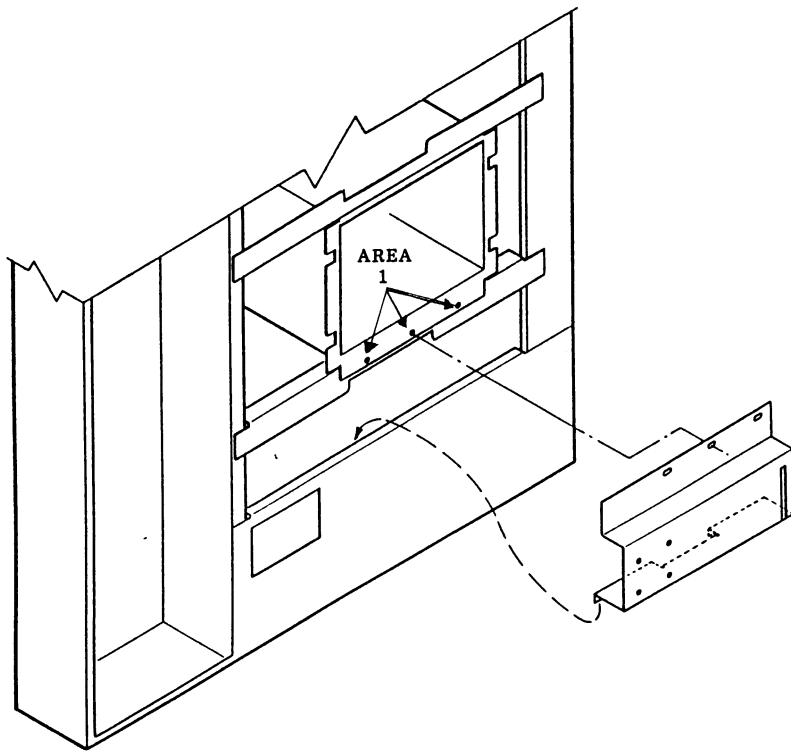


Figure 1

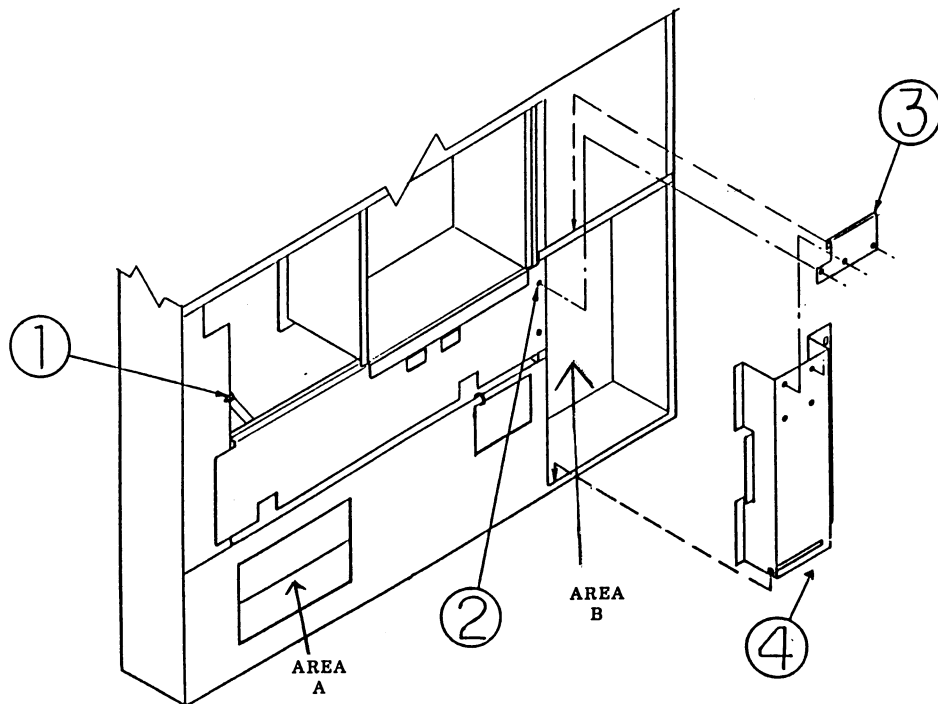


Figure 2